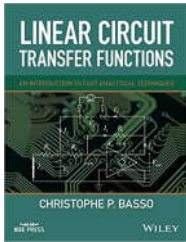
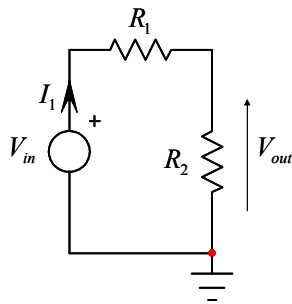


# Linear Circuit Transfer Functions : An Introduction to Fast Analytical Techniques

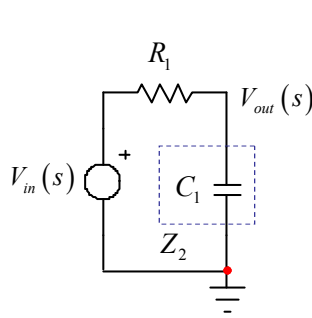
Wiley – IEEE Press – Christophe Basso



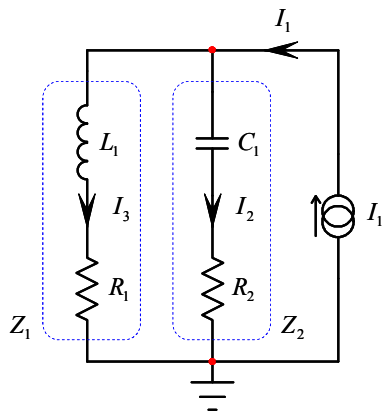
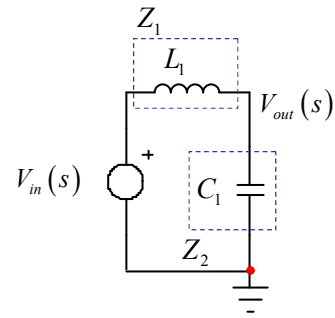
List of circuits studied in the book and whose transfer function is entirely derived. You will find passive and active circuits from 1<sup>st</sup> to 4<sup>th</sup> order.



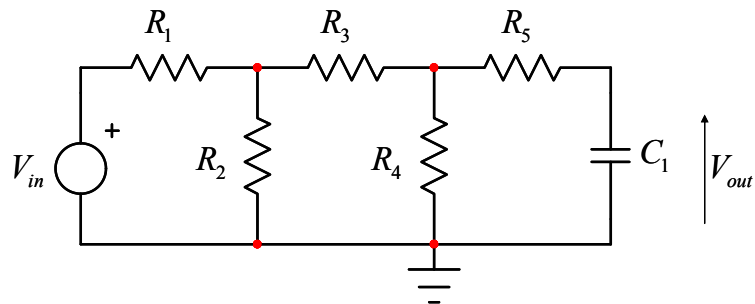
Page 11



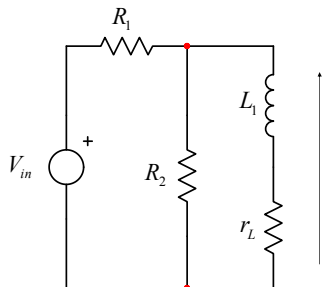
Page 12



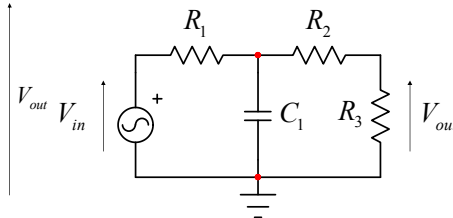
Page 14



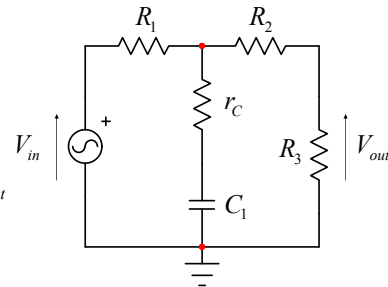
Page 15



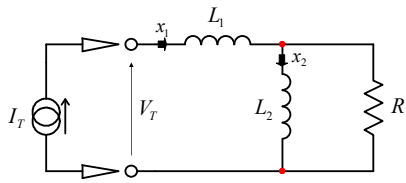
Page 19



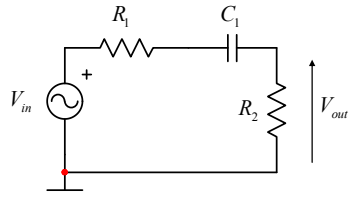
Page 16



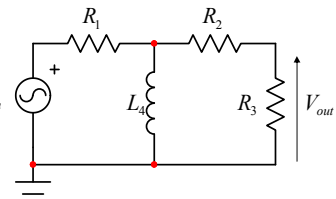
Page 58



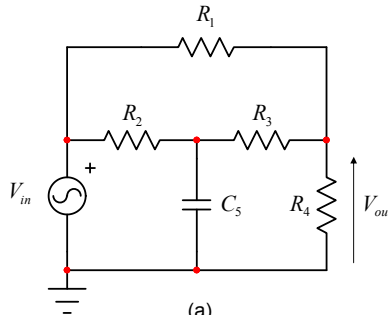
Page 74



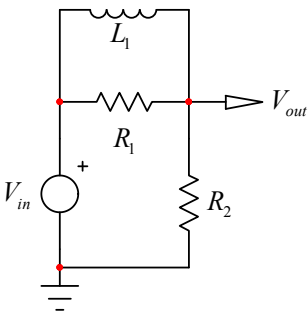
Page 83



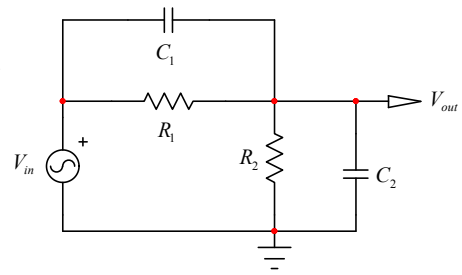
Page 84



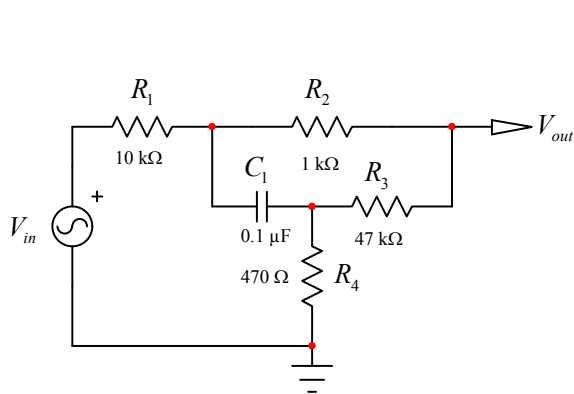
Page 87



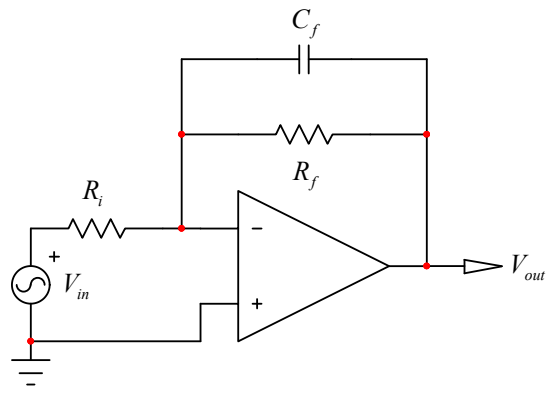
Page 108



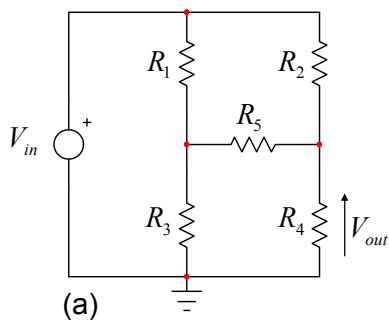
Page 109



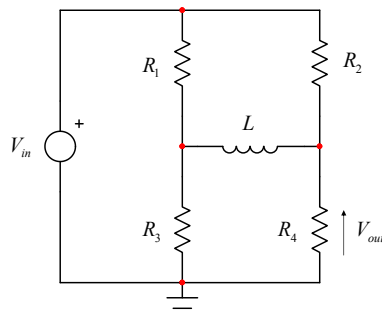
Page 109



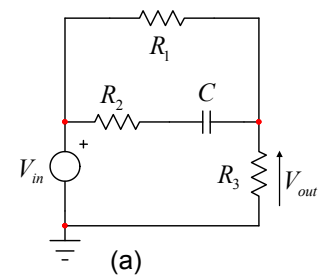
Page 113



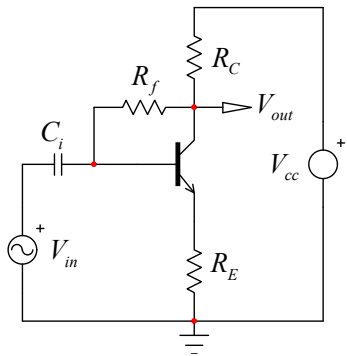
Page 130



Page 134

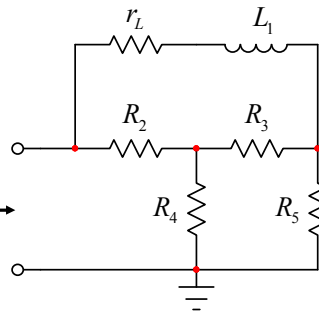


Page 137

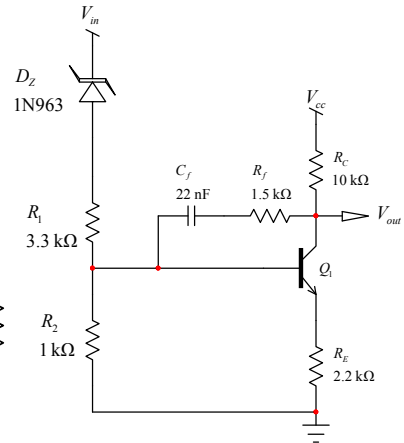


Page 138/140

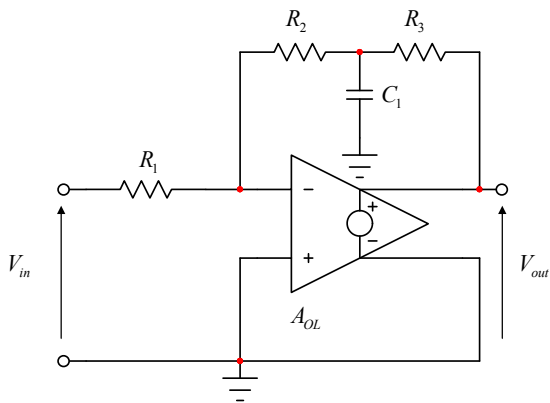
$Z_{in}(s)$  →



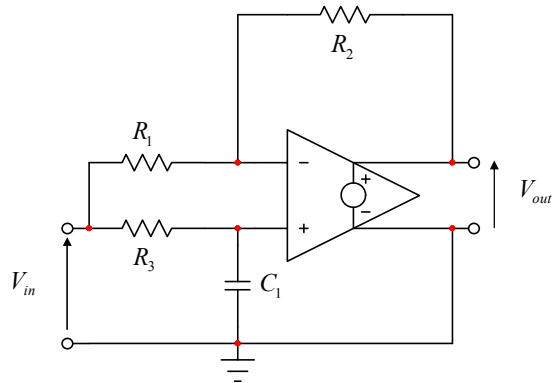
Page 146



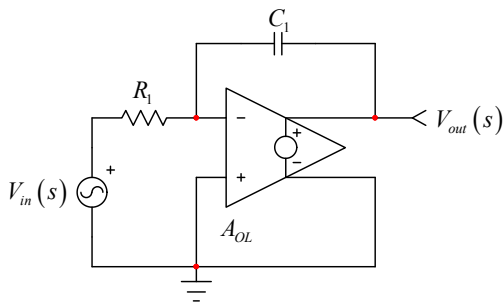
Page 159



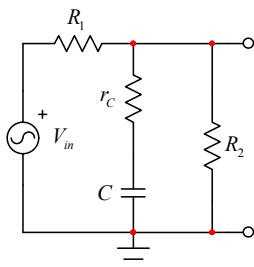
Page 167



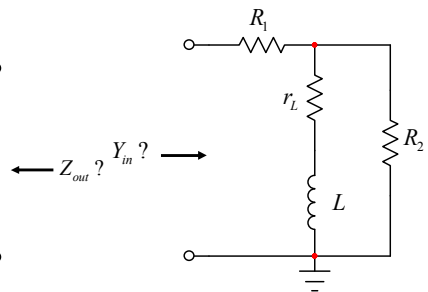
Page 173



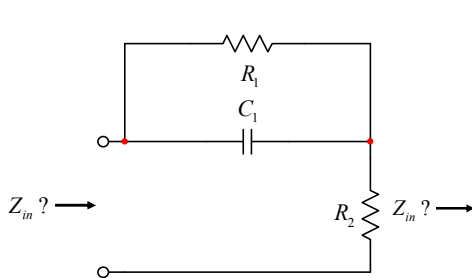
Page 177



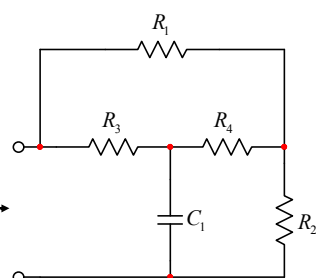
Page 183/185



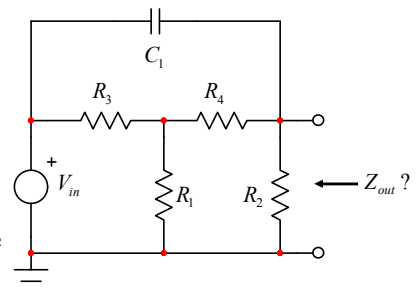
Page 183/187



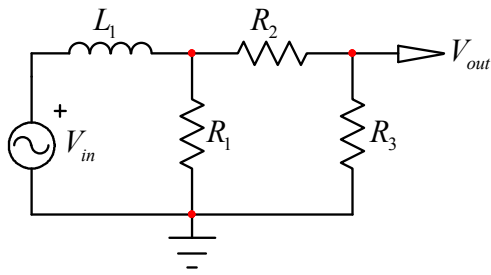
Page 183/191



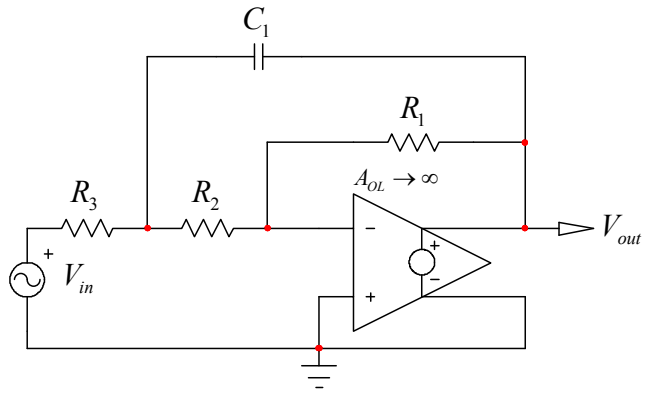
Page 183/194



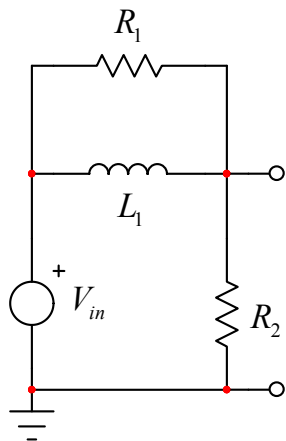
Page 184/199



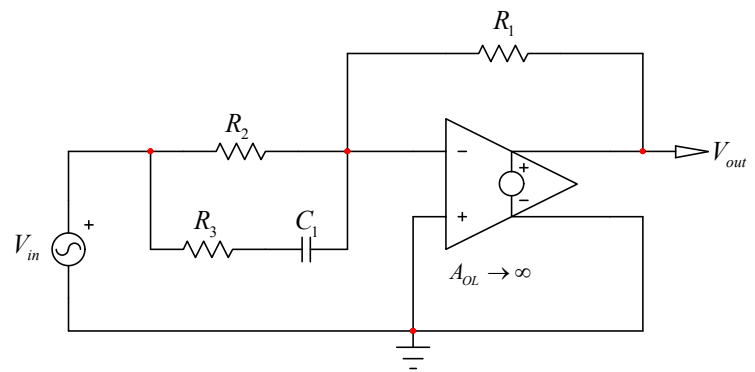
Page 184/200



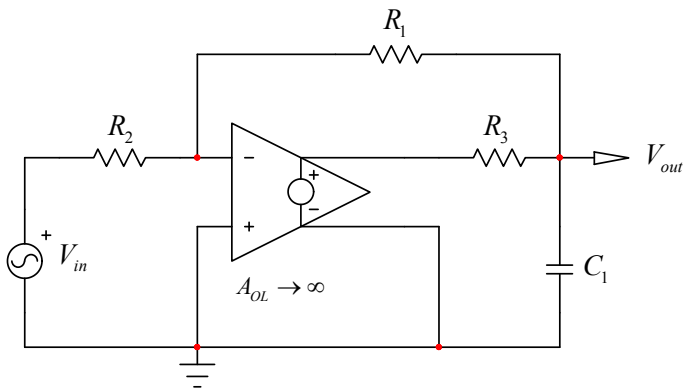
Page 184/204



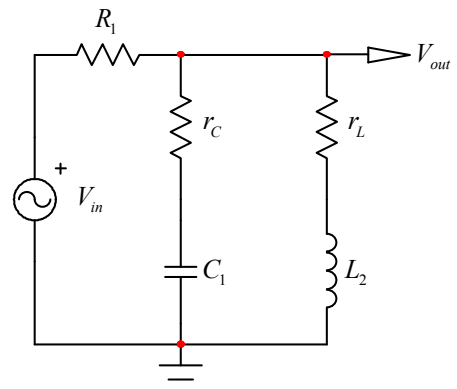
Page 184/208



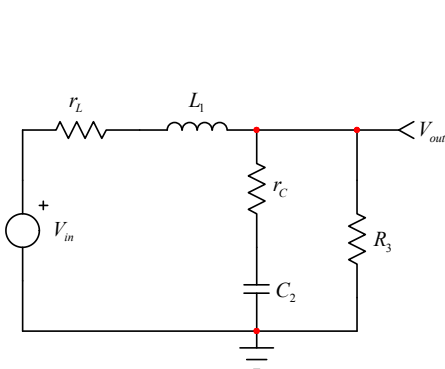
Page 185/211



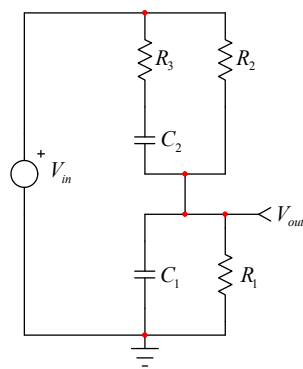
Page 185/215



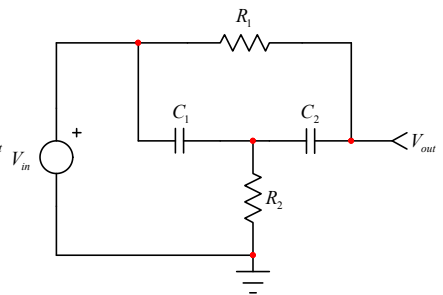
Page 222



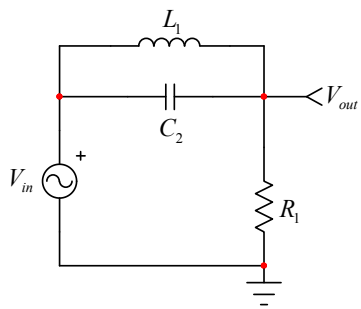
Page 235



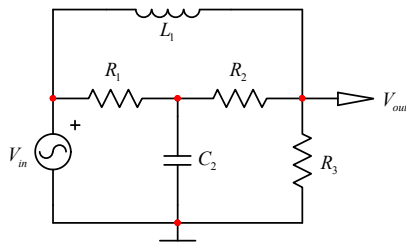
Page 241



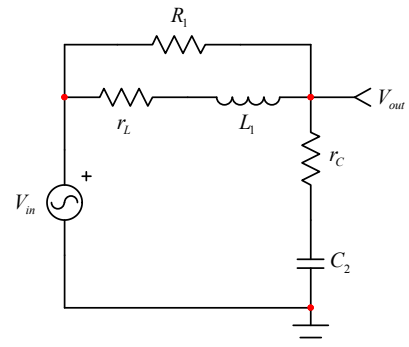
Page 245



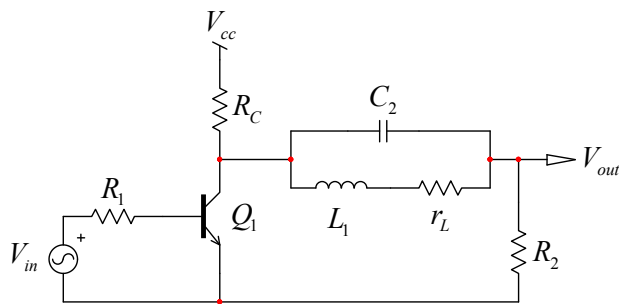
Page 248



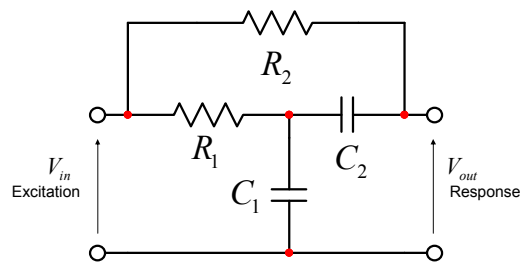
Page 258



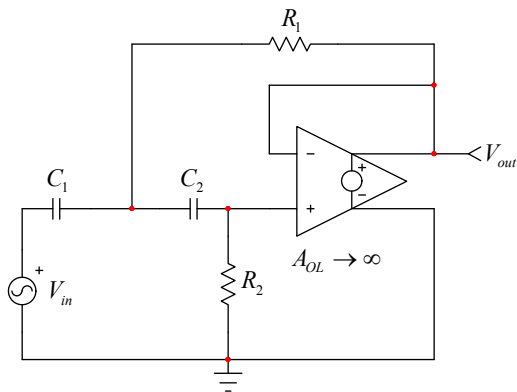
Page 262



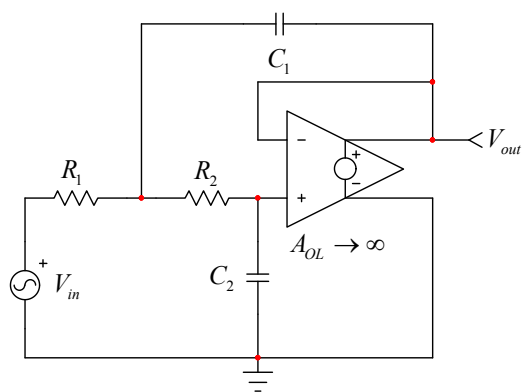
Page 267



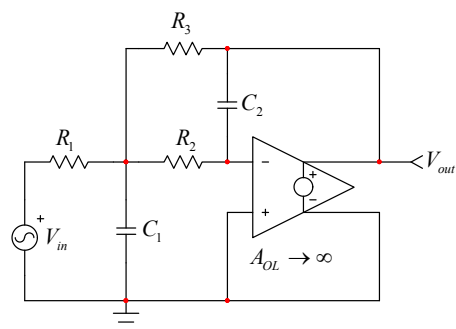
Page 273



Page 279/282

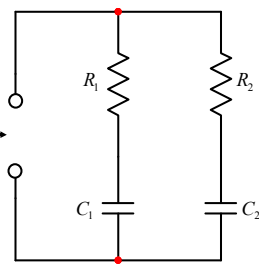


Page 279/285

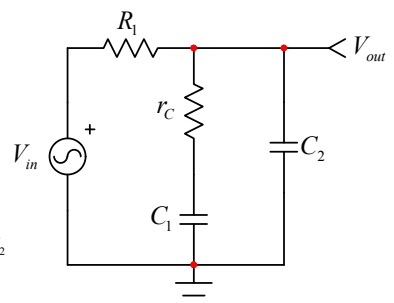


Page 280/287

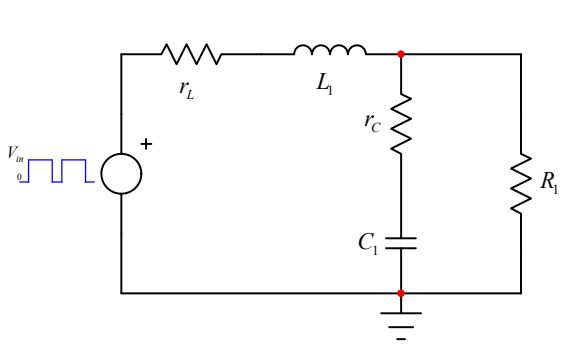
$Z(s)?$



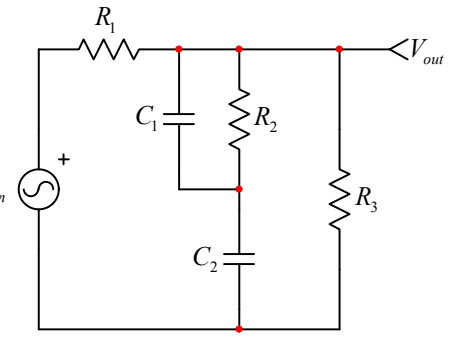
Page 280/291



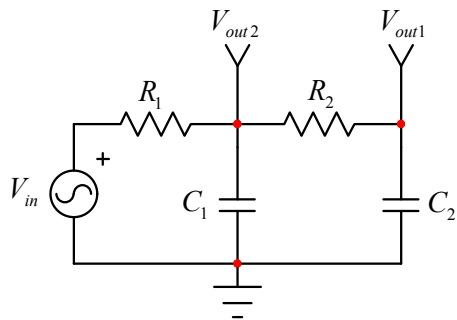
Page 280/295



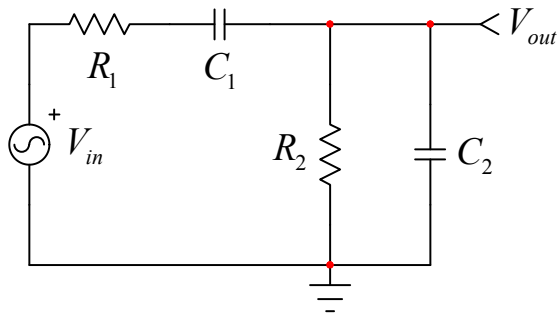
Page 281/297



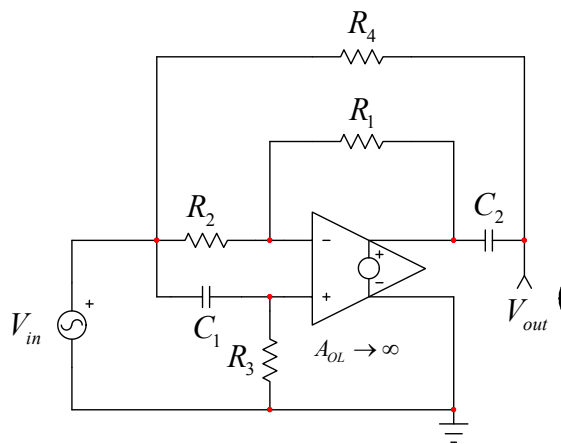
Page 281/299



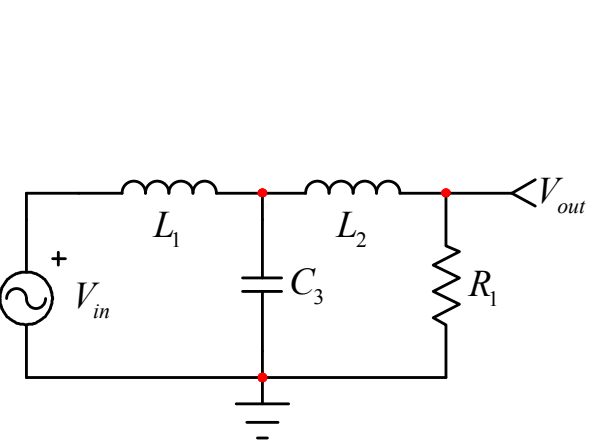
Page 281/302



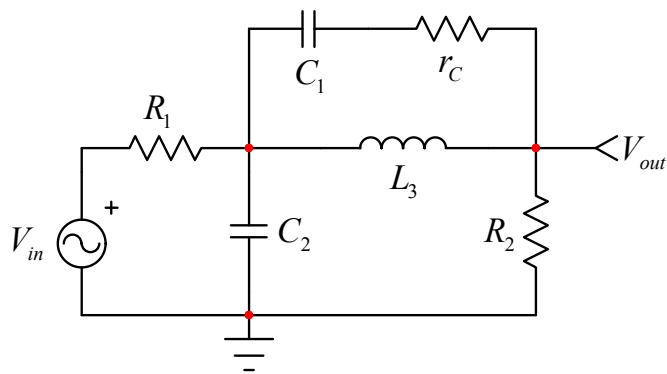
Page 281/305



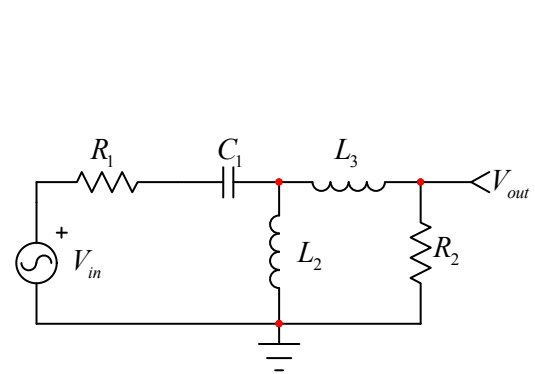
Page 282/308



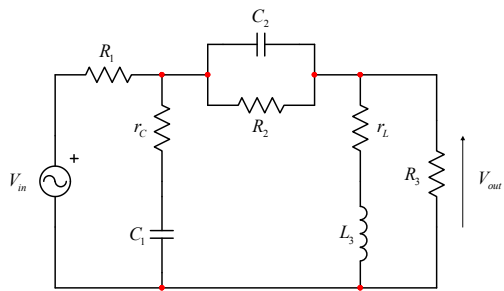
Page 317



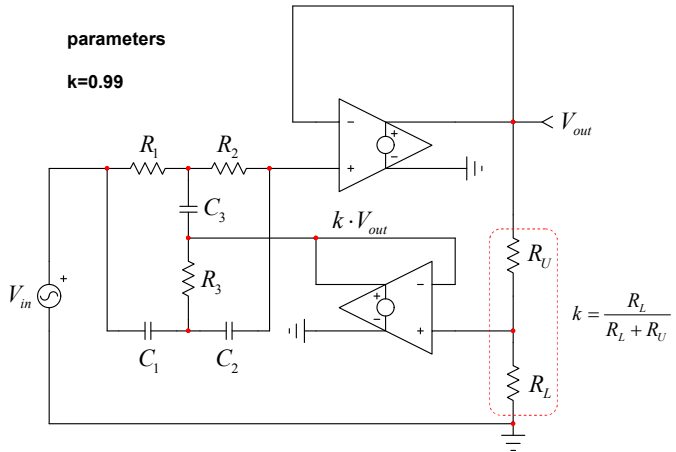
Page 322



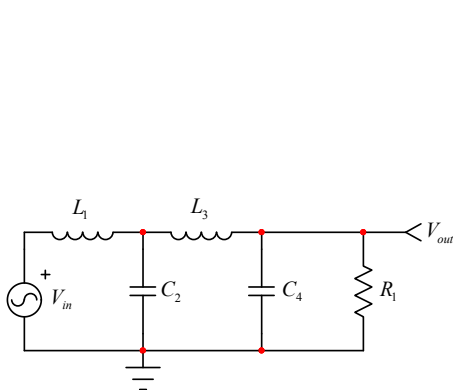
Page 330



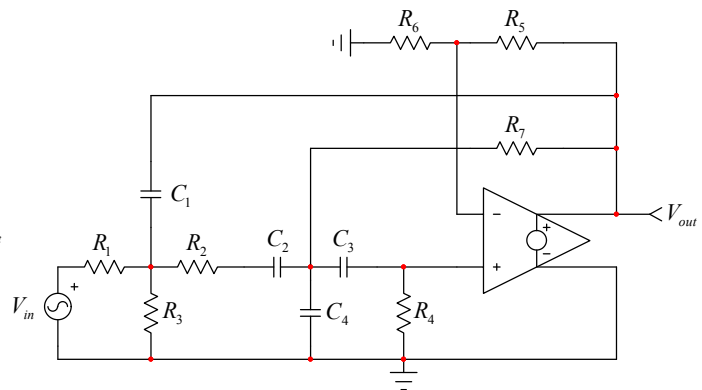
Page 335



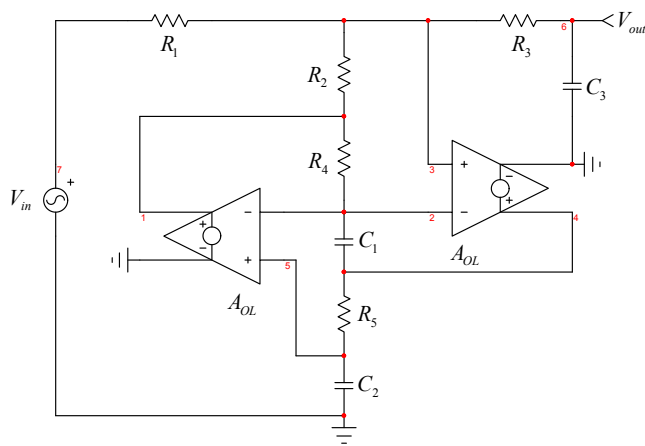
Page 341



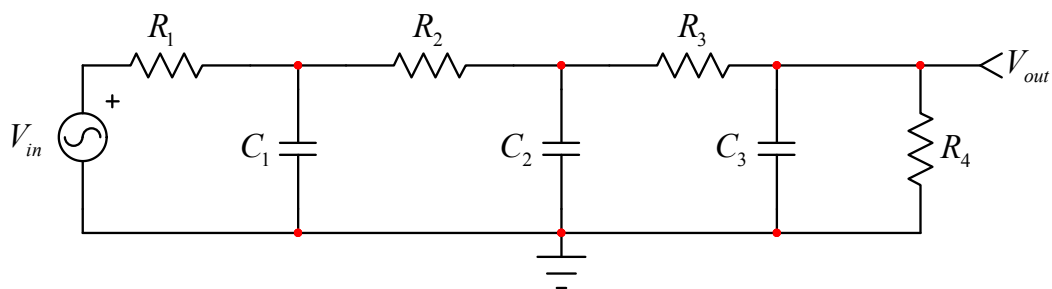
Page 352



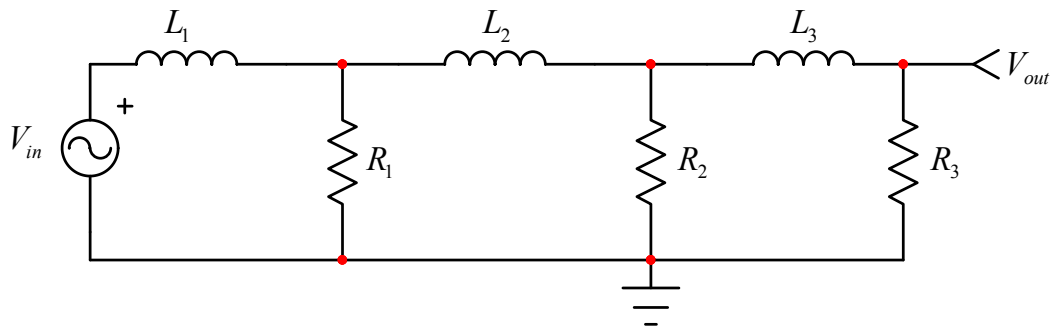
Page 357



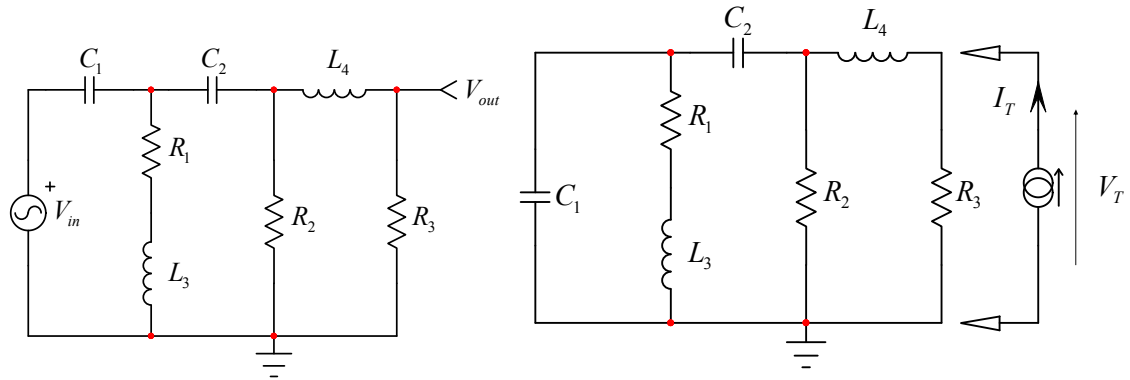
Page 368 – The GIC filter



Page 385/388

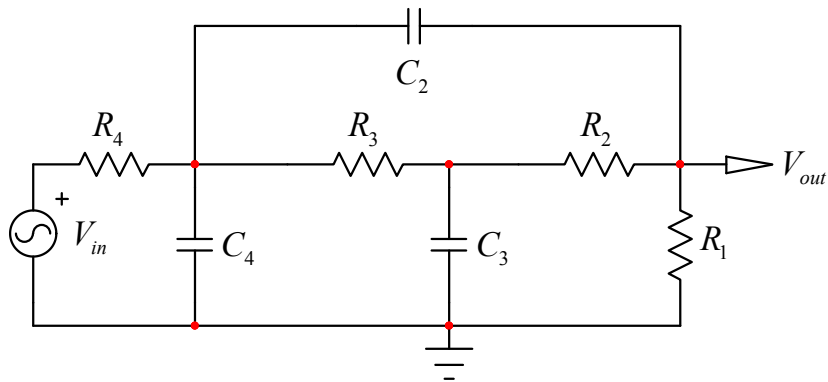


Page 385/390

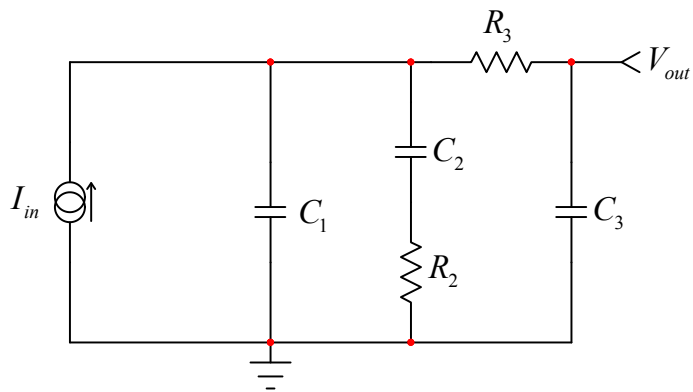


Page 385/394

Page 386/397

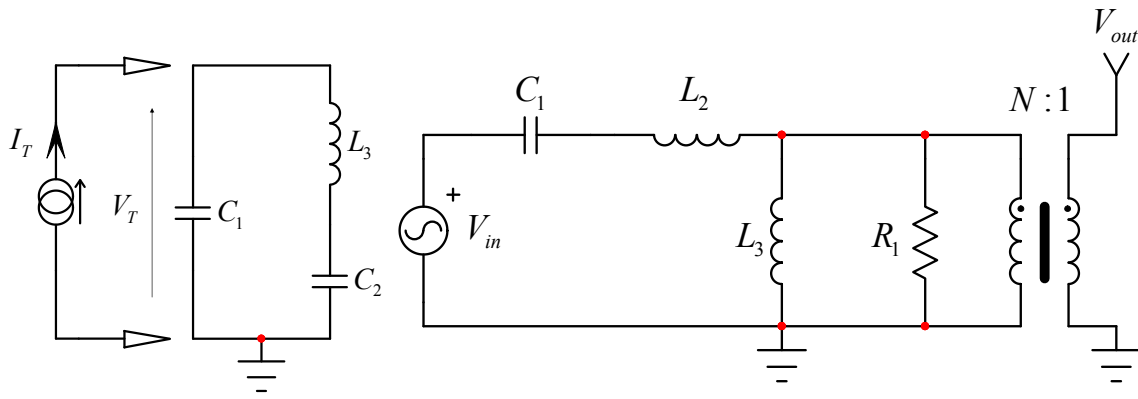


Page 386/401



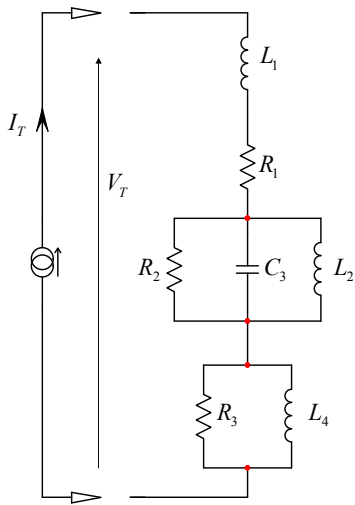
Page 386/405



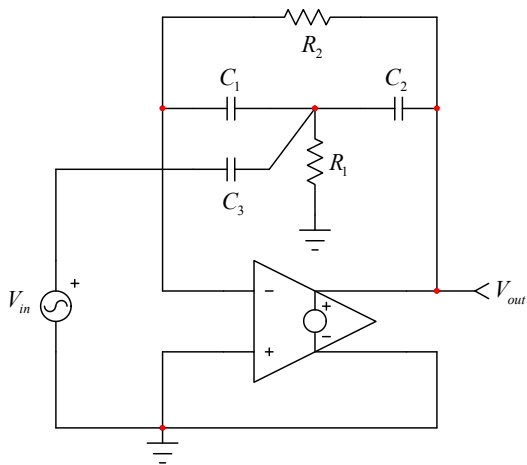


Page 386/411

Page 387/415



Page 387/419



Page 387/425